



Continental Cattle Crate

Models 300g • 339 • 339g

Hoof Trimming Attachments

Model 339g-880

**Instruction Manual
& Operating Guide**



Rev. B

Contents

Continental Cattle Crate:-

	Pages
Safety Notes	4
Introduction and Intended Use / Specifications	5
Preparation for Use & Setting Up	6, 7
Operating Instructions	8, 9
Maintainance	10, 11
Spring Loaded Bar	12
Optional Head Scoop	13 - 16
Other Optional Equipment	17 - 19

Optional Hoof Trimming Attachments:-

Assembly Instructions	20 - 23
Component Parts	24 - 26



Safety Notes and Warnings

- Ensure the operator in charge of the Continental Cattle Crate is an experienced stock person who can maintain a high standard of animal welfare.
- Ensure that there is sufficient space in the area designated for the crate to allow the operator to work safely and efficiently.
- The adjoining Race and Penning to the crate should be of sufficient build for the safety of both animals and operators.
- Open one side door at a time.
- Always make sure the area in front of the yoke doors is clear when animals are entering and exiting the crate.
- Should an animal become distressed whilst in the crate and a fast release is required, increase the yoke width before opening the doors as this will relieve any pressure from the neck and can facilitate easier opening of the yoke doors.
- When handling bulls or animals with a neck size larger than it's head, always use a head halter and tie it to our optional bolt on Head Restraint (No 339g-600). Never rely on the neck yoke only.



Introduction and Intended Use

The Ritchie Continental Cattle Crate was designed for, and intended to be used by, the agricultural industry purely for the handling of Cattle. The Crate is designed to give maximum safety and to minimise stress in both the animal and the operator.

The crate should only be used by an experienced stock person, who can maintain a high standard of animal welfare.

- The crate has a fully automatic yoke with auto reset facility.
- Easy adjustable neck yoke widths, which allows easy handling of calves to bulls.
- Complete access to both sides of the animal.
- Ratchet type rump bar operation.
- Complete with rear gate and aluminium 5 bar tread-plate floor.
- Rear sliding gate and rubber mat floor on the 300g.

Deviations from the intended use should not take place without the notice and approval of David Ritchie (Implements) Ltd.

Specifications

	300g	339 / 339g
External Length	2.31m	2.20m
External width	1.82m	1.06m
Internal width	0.76m	0.76m
External height	2.06m	2.06m
Internal height	1.71m	1.71m
Weight (Painted)	N/A	400 kgs
Weight (Galvanised)	540 kgs	460 kgs



Preparation for Use

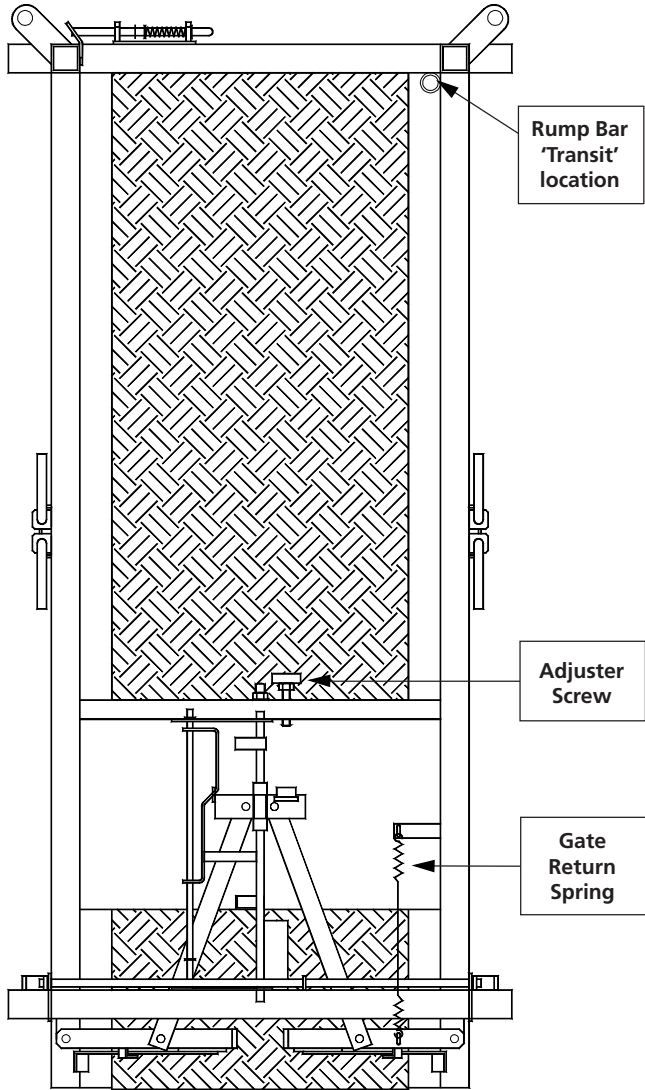


Fig 1



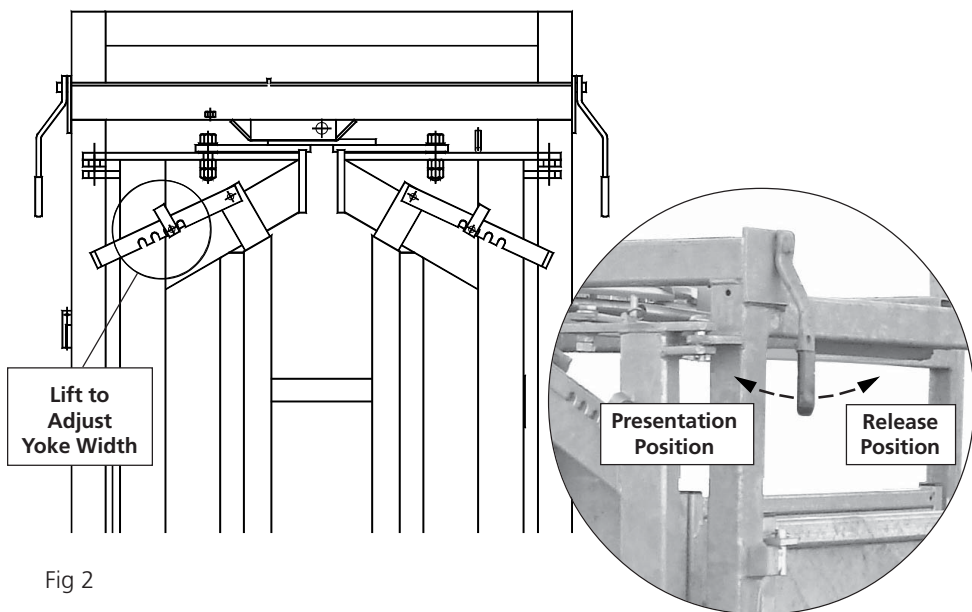


Fig 2

Setting Up:-

To move the crate by loader or forklift, place the forklift tines either below the floor or below the top horizontal members from the side of the crate to lift and move taking care the crate does not slide when travelling over rough terrain. Alternatively use the optional 3 point lifting frame No 329g, (page 17).

Select a level site where the handling is to be carried out. Position the crate on firm and level ground and ensure that there is sufficient area all around to operate the crate safely and efficiently.

Remove the rump bar from its transit position, Fig 1.

Before handling cattle, operate the yoke doors through the operating sequence a few

times to familiarise yourself with it, Fig 2) and also to ensure that the system is running free, if not oil the mechanism, (page 10-11). Also operate the yoke width adjustment mechanism to familiarise operating, Fig 2 and also to ensure the doors are running freely.

The rear gate can be hinged from either side. If you require to hinge the gate from the opposite side, open the gate fully and lift the gate off its hinges past the retaining keeper, turn the gate upside down and in the fully open position drop the gate onto the hinges on the opposite side.

Hurdles can be added to form a race-way into the Continental Cattle Crate by attaching to the hurdle lugs provided, Fig 3.



Operating Instructions

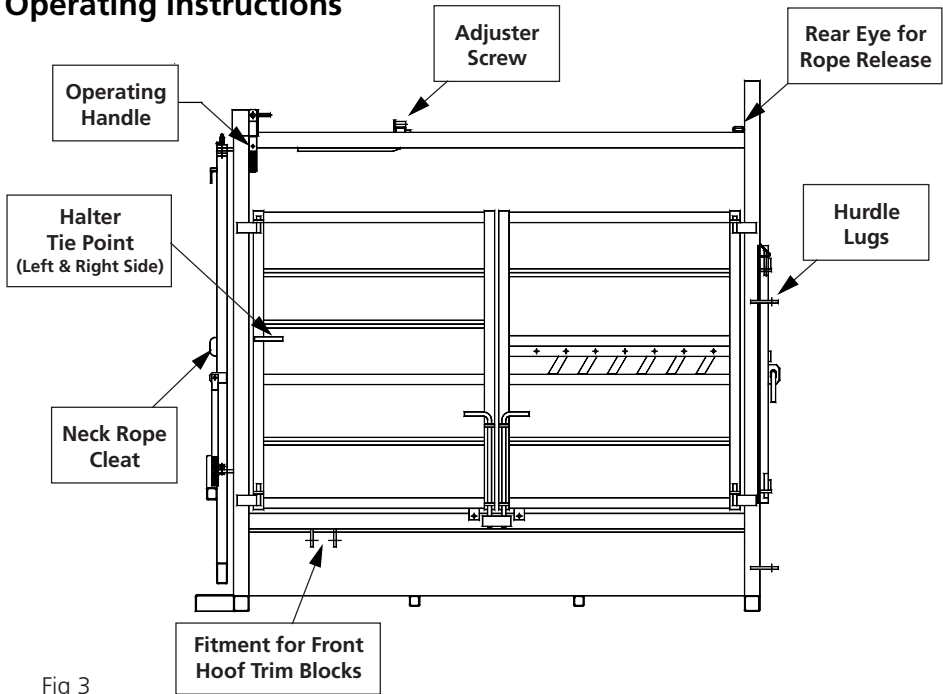


Fig 3

Adjust the width of the yoke doors whilst in the locked position to suit the size of cattle to be handled. Ensure that the yoke will not be too tight on the neck of the animal as this may reduce the blood supply to the head and result in animal collapse, see Fig 2.

To prepare the yoke doors for holding an animal, push forward the control lever and allow the yoke doors to return to the presentation position, Fig 2.

Turn the adjuster screw if required (see Fig. 1) to vary the presentation width of the yoke. This will not alter the width of the yoke in the locked position.

Herd the animal into the crate ensuring the animal pushes far enough forward to secure the self-locking catch.

Locate the rump bar/close the rear gate (whichever preferred). The rump bar can be used to help force a reluctant animal forward in the crate.

A neck rope is provided which can be used to go over the top of the neck to help restrict vertical head movement. A simple rope retainer is fitted to allow easy gripping of the rope, Fig. 3.

A halter may be used to restrain the animal's head using the halter tie points provided, Fig 3.

A side door may now be opened to offer access to the side of the animal for treatment.



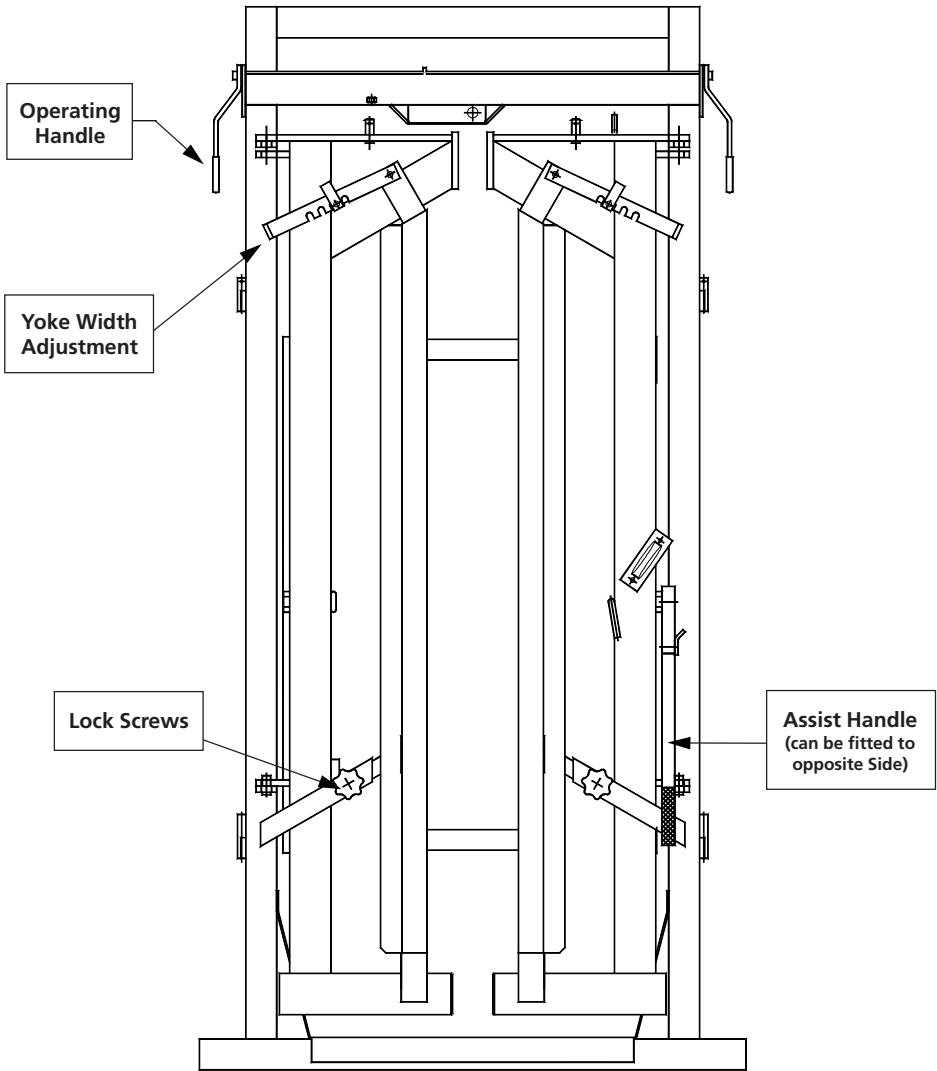


Fig 4

To release the animal pull the control lever rearwards or alternatively use a rope (see Fig. 4). The animal can only travel forward and cannot reverse. If you require to reverse the animal through the crate push the control lever forward.

Should an animal be reluctant to leave the crate when the catch is released, the assist handle can be used to force open the yoke doors, Fig 4.



Maintenance

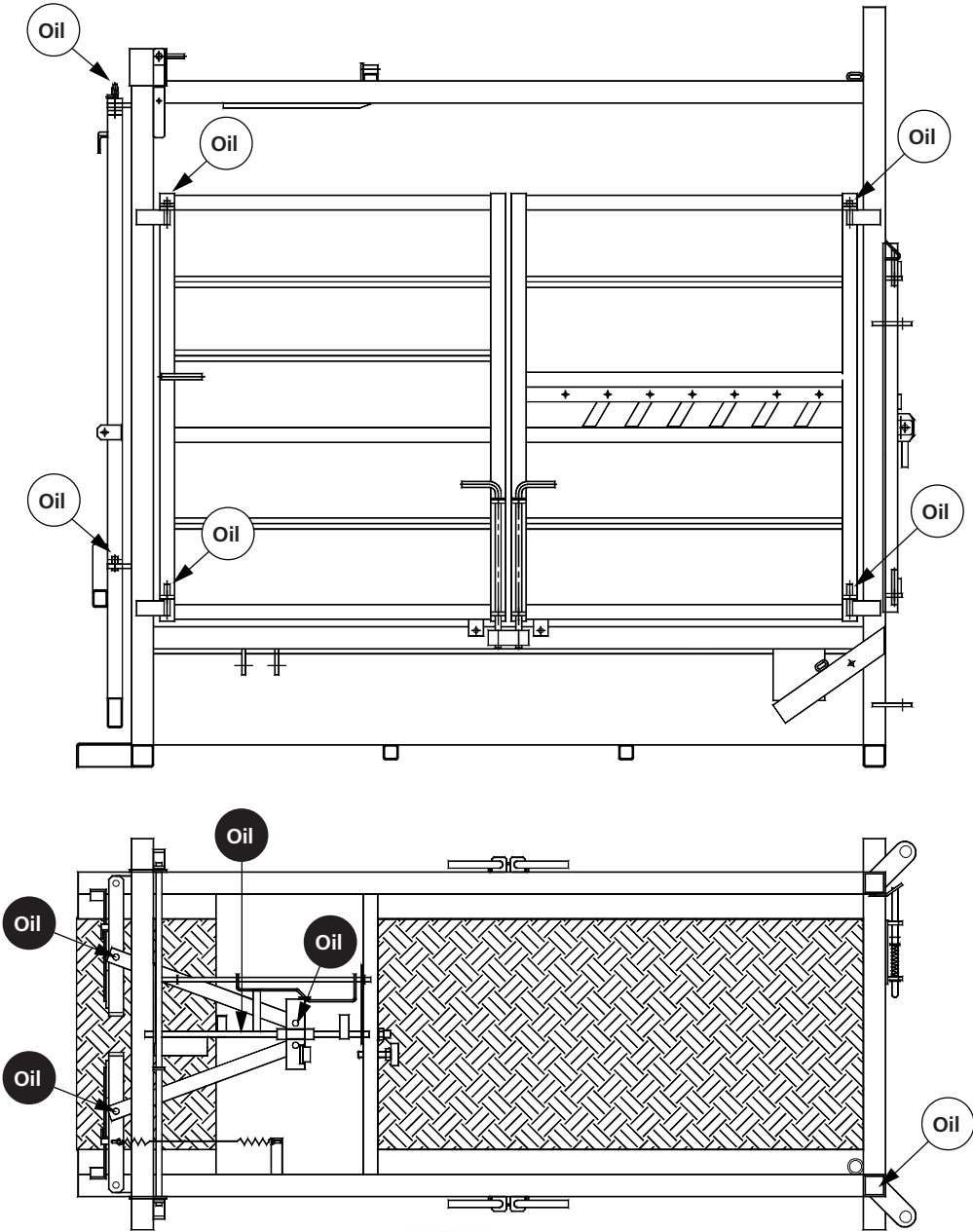


Fig 5



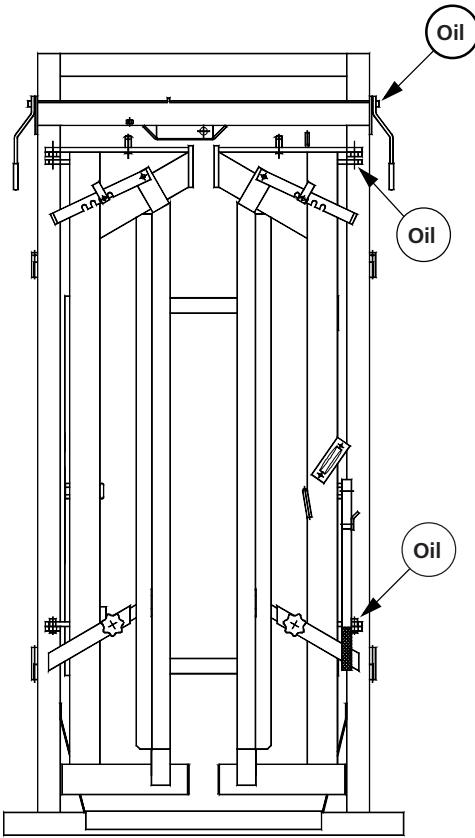


Fig 6

Oil - Oil **DAILY** when in use.

Oil - Oil **WEEKLY** when in use.





Fig 7

Spring Loaded Bar

If a second door is to be opened an optional spring loaded bar (332g-A13) can be used to provide a simple barrier between animal and operator.

The spring loaded bar can be fitted in either of three positions as shown, Fig 7, (arrowed) and can be placed in the storage position when not in use, Fig 8.

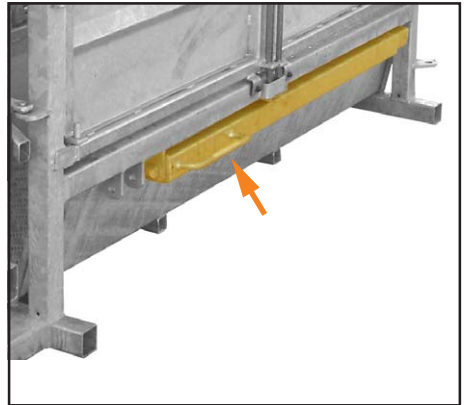


Fig 8



Optional Head Scoop

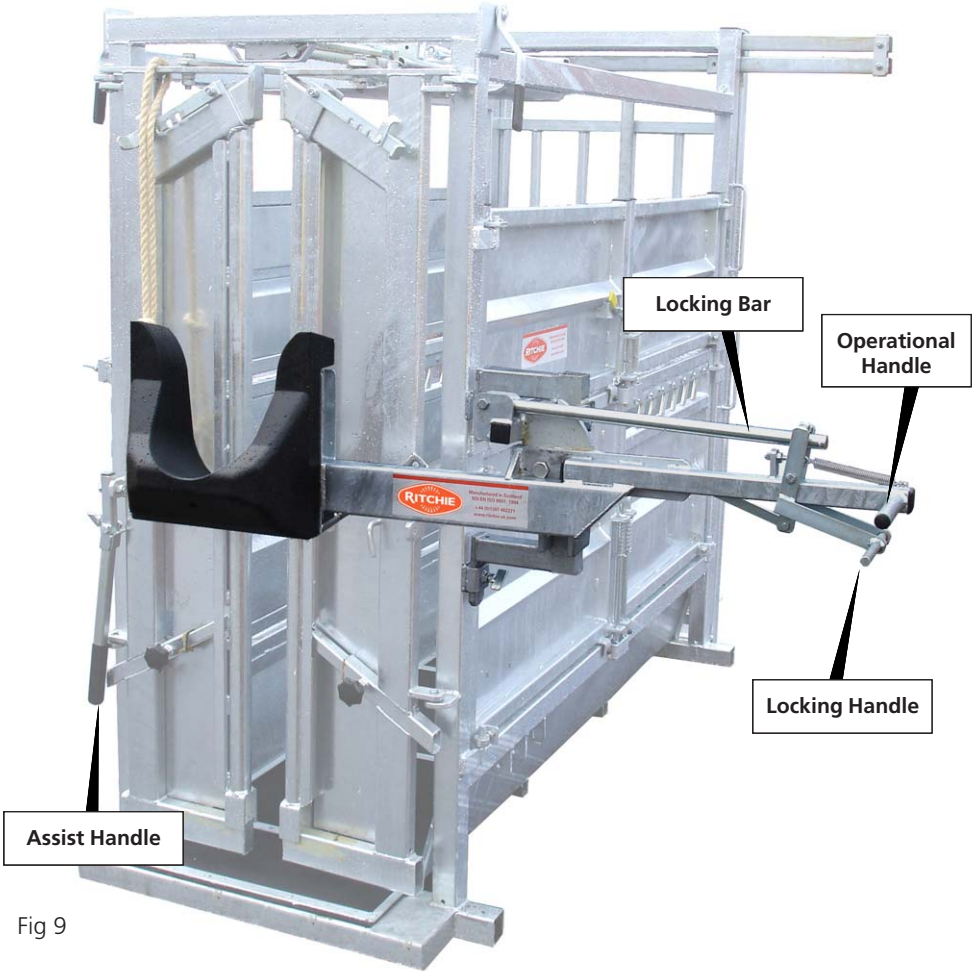


Fig 9

The Head Scoop is available in left hand (323gl) and right hand (323gr) versions. This should be stated at time of ordering.

Main Features

- The Head Scoop has been designed to control the head of cattle making routine tasks easier and safer.
- The unit prevents an animal from 'going down' in the cattle crate, and increases the efficiency of the handling process.
- The unit is easily removed when not required.
- Weight - 28 kgs.



Setting Up

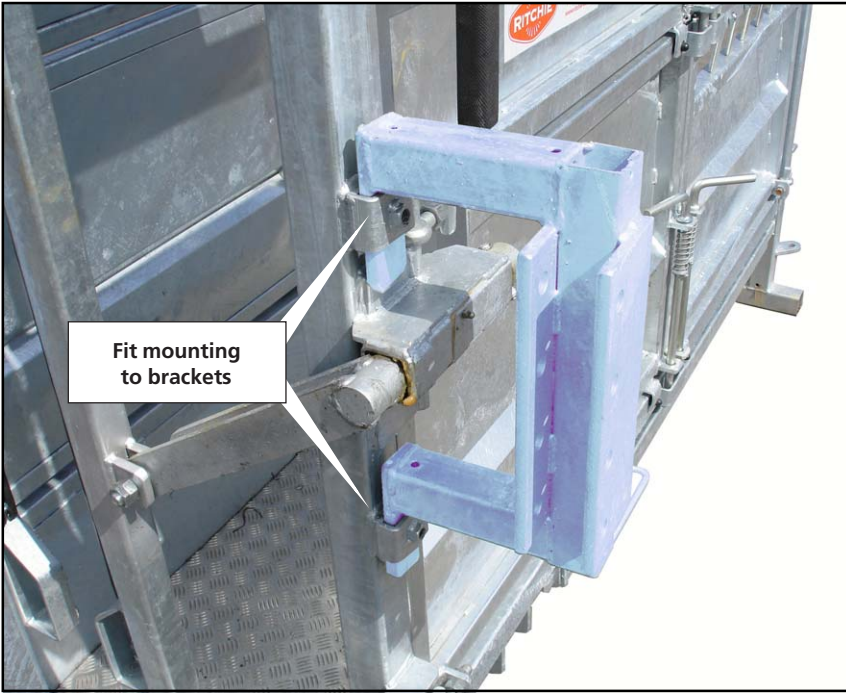


Fig 10

Fit the Head Scoop mounting to the brackets provided on the crate upright, Fig 10.

The Head Scoop can now be attached to the crate.

The bracket offers 3 height positions for the Scoop, Fig 11. Fit the head scoop to the mounting using two of the holes provided.

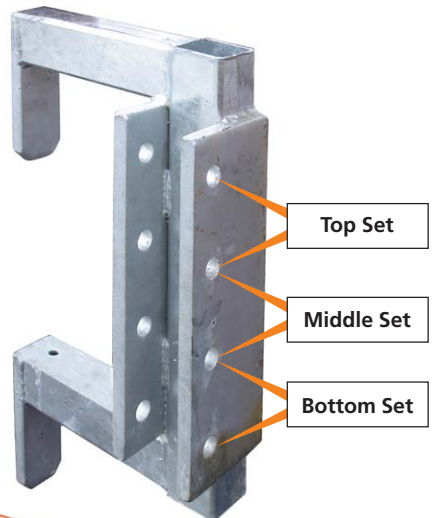


Fig 11



Operating the Head Scoop

The scoop is designed to pivot from the vertical to the horizontal working position.

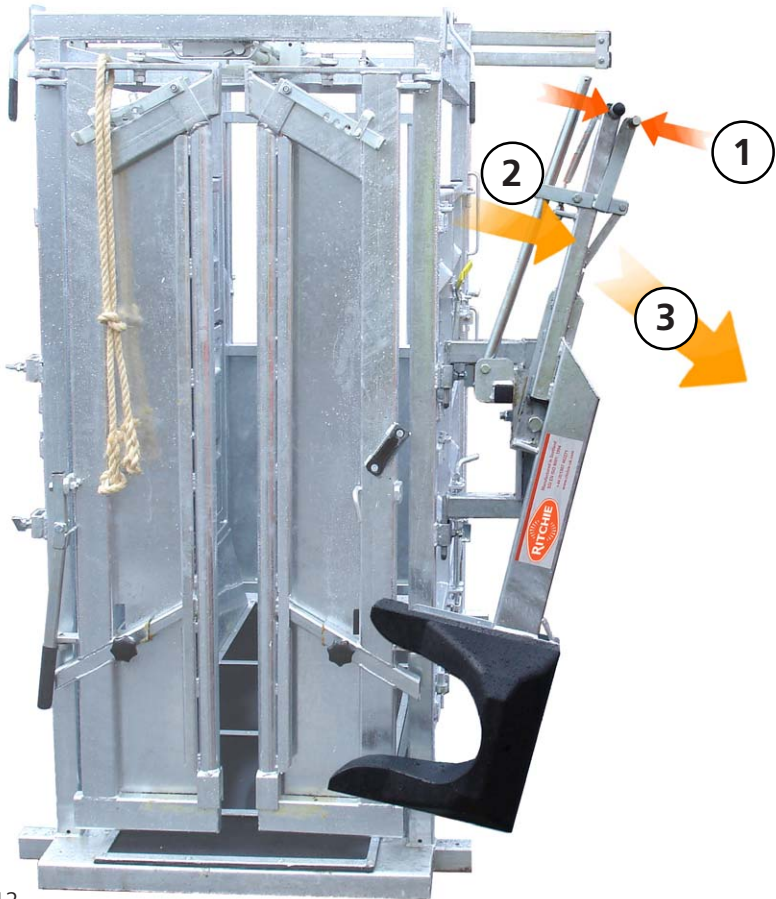


Fig 12

To engage - With the equipment in the vertical position - squeeze the locking handle and pull the Scoop down slightly (about 10°), Fig 12. Release the locking handle and continue to rotate the scoop on its pivot until the desired working height is achieved. The apparatus will lock in this position until released.

To release - push the operational handle slightly in a downward direction before

squeezing the locking handle and rotating the scoop back to the vertical position.

Note: A slight downward push of the operational handle as noted above will facilitate easy release of the mechanism.

Operator's should familiarise themselves with the locking and release sequence by practicing a few times before admitting an animal.

Adjustments and Maintenance

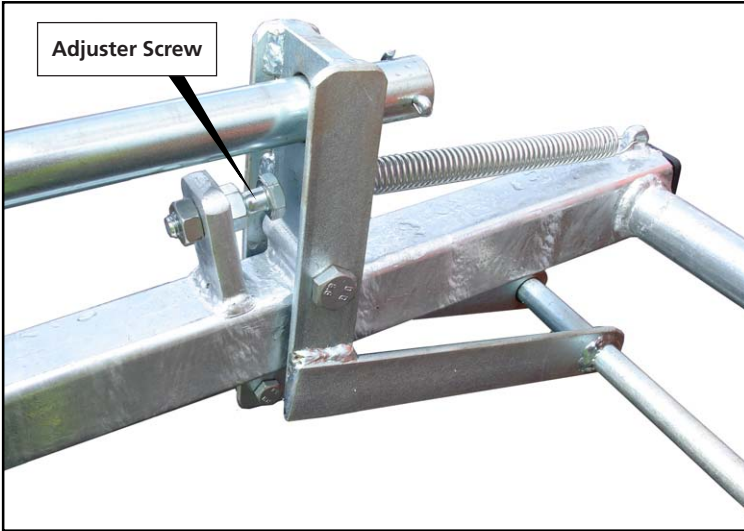


Fig 13

An adjuster screw, Fig 13, is provided to prevent finger entrapment between the operational handle and the locking handle. Lengthening the bolt provides additional finger space.

- Pivot plates should be greased weekly during operation, Fig 14.



Note: Do not apply oil or grease to the Locking Bar, Fig 14. The bar must be dry in order to function correctly!

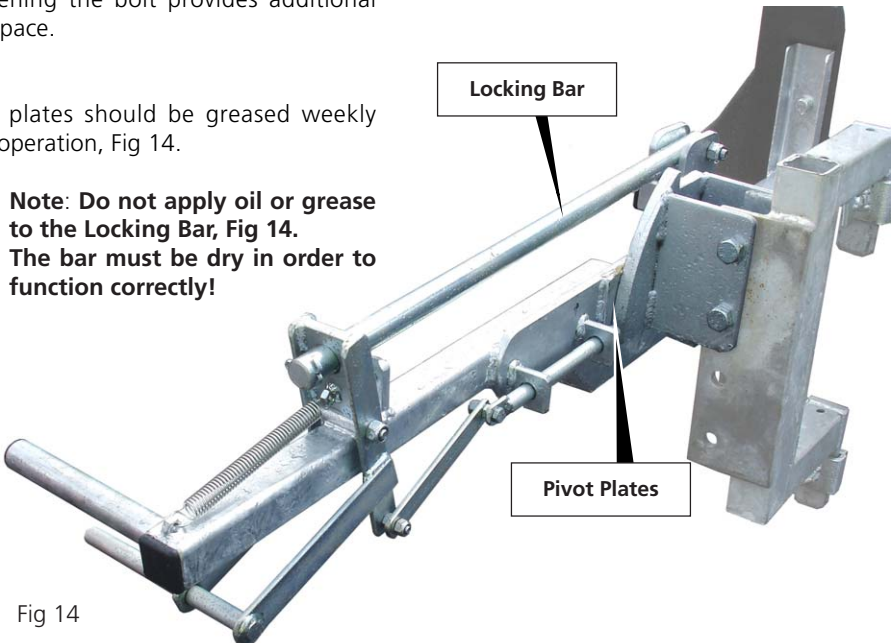


Fig 14

Optional Equipment

No 339-800 Access Cubicle - Easy fitted with drop pins, the unit extends the overall length of the crate by 39" (99cm). The cubicle offers the ability to close off the race from either side ensuring safety for the operator.



No 329g Lifting Frame Simple 3 point linkage attachment allows transportation of the crate from either side.



No 332G-A13 Spring Loaded Bar - The Spring Loaded Bar provides a barrier between animal and operator allowing both side doors to be opened at one time. The bar prevents the animal from stepping out of the crate with its back legs.



Optional Equipment (continued)

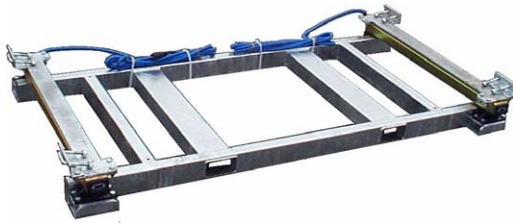


No 327g Mechanical Weigh Platform
c/w 1500kg capacity and unique action centre pillar pivots to allow complete access to both sides of the crate. Bolts on to your existing crate.



No 327ge Electronic Weigh Platform
1500kg capacity c/w Salter electronic weigh head rated to IP65. Fitted with internal battery and is supplied with a charger unit.

No 333g Electronic Weigh Platform c/w the Tru-Test multi-purpose load-bars and a choice of electronic displays. Bolts on to your existing crate.

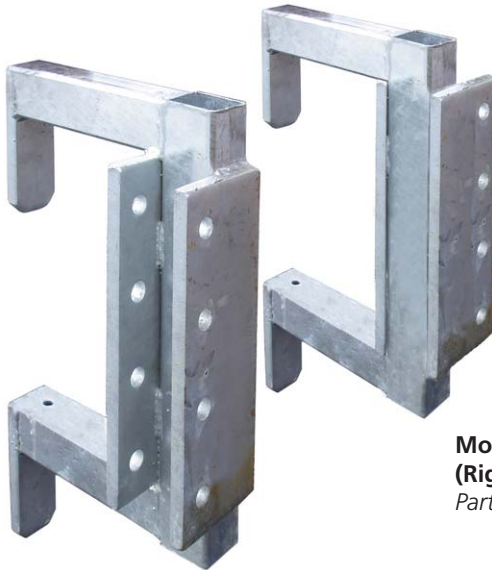




Head Scoop

Part no. 323gl (Left hand)

Part no. 323gr (Right hand)



**Mounting bracket
(Right Hand)**

Part no. 8764g

**Mounting bracket
(Left Hand)**

Part no. 8765g



Hoof Trimming Attachments No. 339g-880 (Optional)

Fitting of Rear Winch

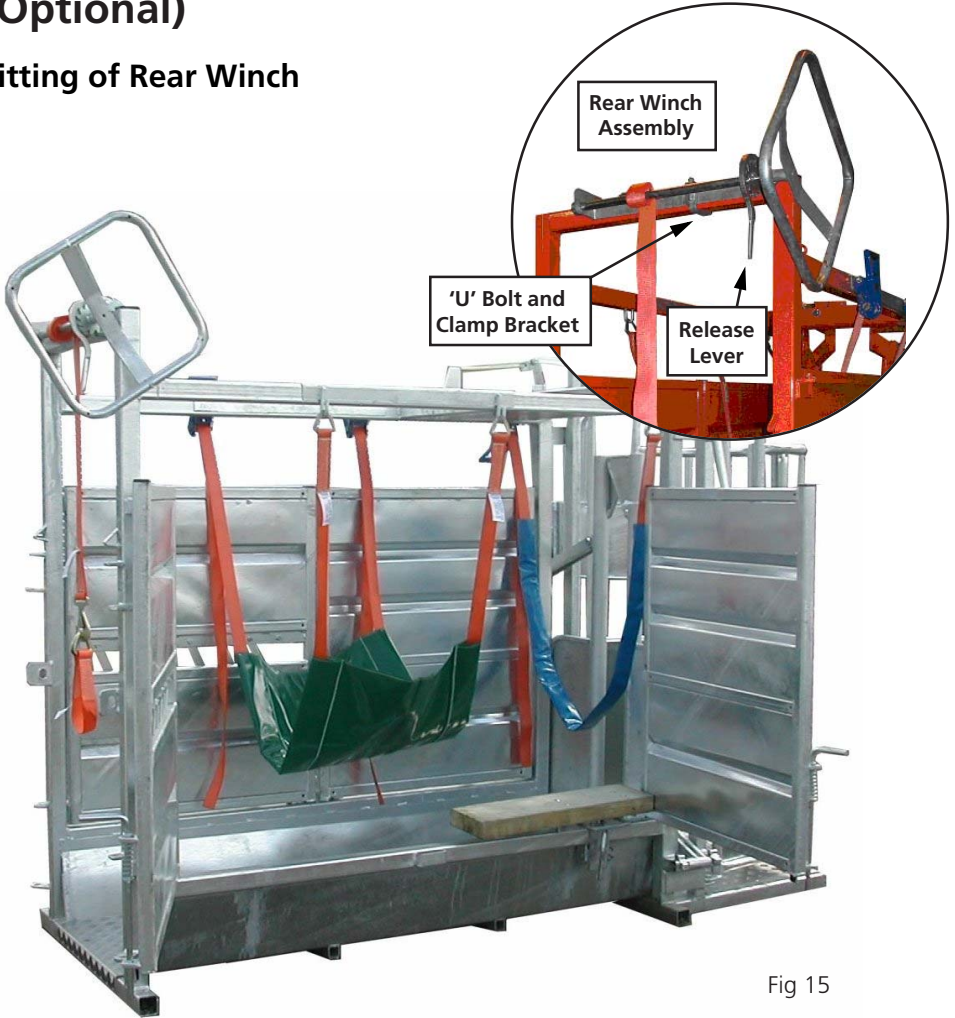


Fig 15

Position the rear winch assembly on top of the rear cross member of the Cattle Crate as shown, Fig 15, and secure in place using the 'U bolt' and clamp bracket provided.

Locate the wheel onto the end of the winch assembly shaft and secure with the bolt & nut provided. Rotate and check for freedom of movement.

Slide the plain end of the leg strap through the loop provided on the winch and turn the wheel allowing the web to wrap around itself and 'lift'. To release, turn the wheel to take pressure off the ratchet and pull the release lever on the winch assembly to lower. Use the short strap with rings at each end to position around the 'hock' to lift the leg.

Positioning of the Belly Harness & Front Strap

Drop channels with open hooks on preferred side of the Crate as shown, Fig 16, and attach the straps using the open rings.

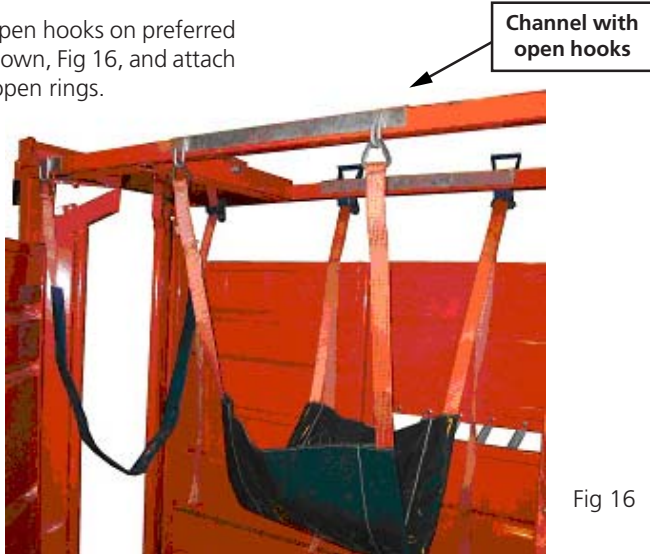


Fig 16

Channel with ratchet assemblies



Fig 17

Position the channels carrying the ratchets on the opposite side as shown, Fig 17, feed the belly support onto the two straps and feed the ends through the ratchet buckles.

For the front strap, ensure the sleeve is fitted before feeding the end through the front ratchet buckle.

When entering an animal into the crate, remove the harness and front strap by lifting off the open rings and pulling the harness and front strap through to the opposite side of the crate.

The rear channels carrying the Belly harness can be moved 'front and rearwards' to suit each individual animal.

Fitting the Front Hoof Blocks

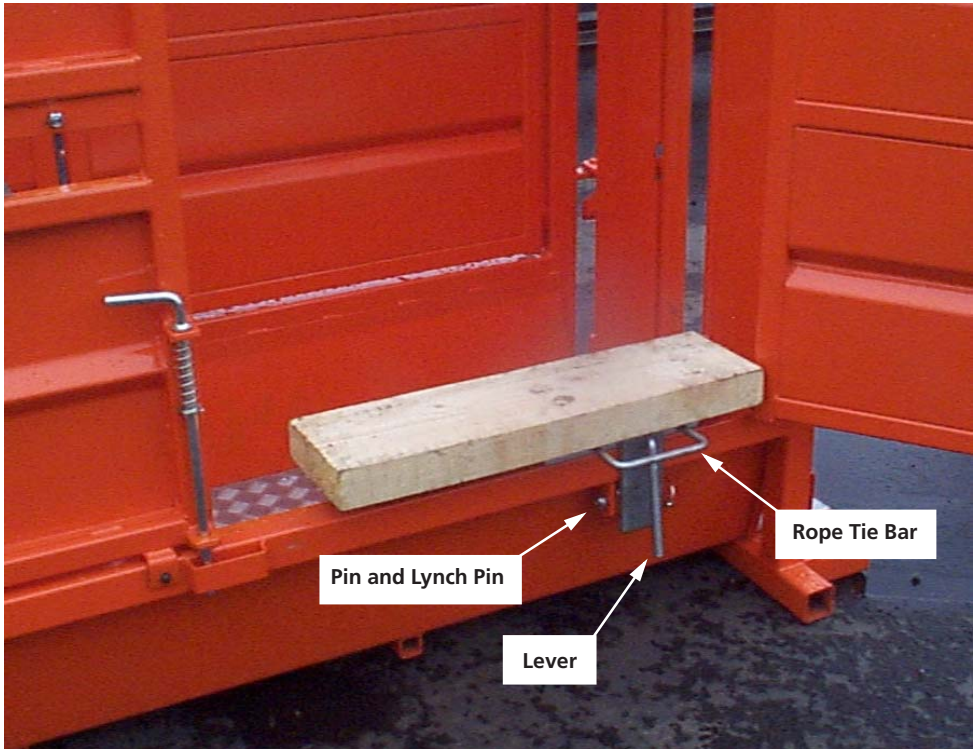


Fig 18

Attach the left and right hoof block assemblies using the pin and lynch pin provided.

To operate the hoof block, the side door of the crate must be opened to allow access, and the block can then be pivoted upwards and locked into position using the lever incorporated.

A rope tie bar is provided to assist tying the leg securely.

When the hoof blocks are not being used, the block assembly can be pivoted through 90 degrees, which allows the side doors of the crate to be opened.

Fitting the Rear Hoof Blocks (Models 339 & 339g only)

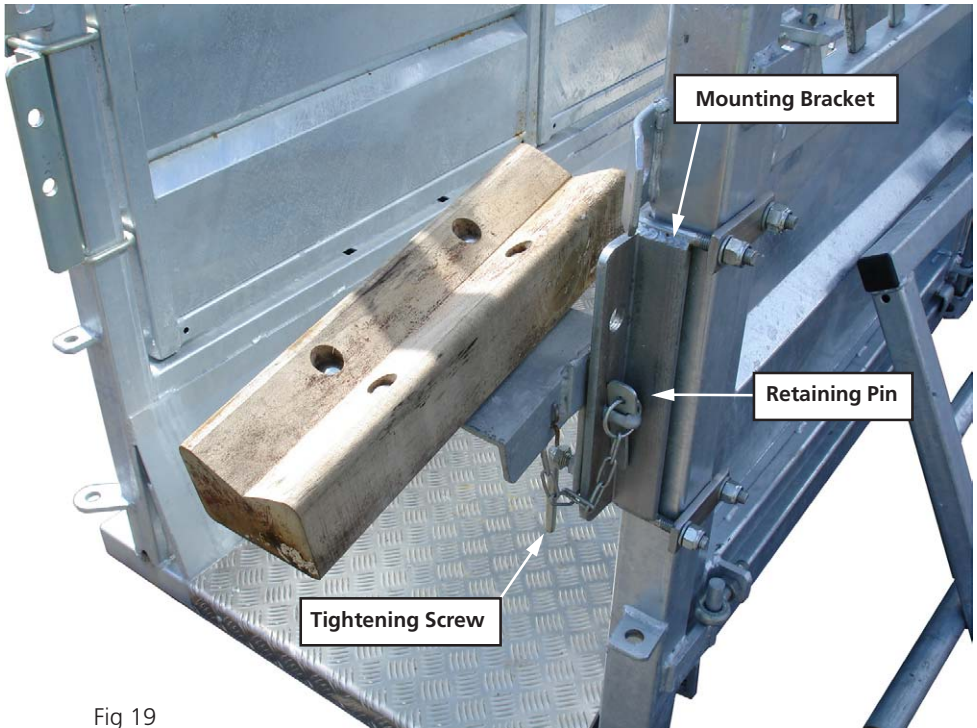


Fig 19

Remove the rear gate by lifting clear of the hinge plates and lay aside.

Fit the rear hoof trim brackets to the crate rear uprights using the u-bolts provided and set at a height to suit the animal, Fig 19 .

Fit the hoof block pin through one of the two holes provided and lock in place using the retaining pin.

Tighten the screw located on the underside of the assembly to secure against movement.

Repeat for the opposite side.

Note: When the hoof blocks are not being used, release tightening screw and retaining pin and remove blocks from mounting brackets.

The rear gate can now be re-hung without need to remove the mounting brackets.



Component Parts



Bracket
Part No. 338G/16

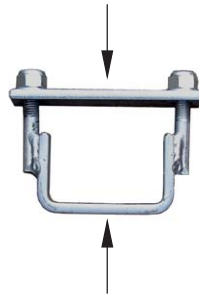


Bracket
Part No. 338G/33



Handle Assembly
Part No. 339G/515

Clamp Plate
Part No. 339G/513



Clamp
Part No. 339G/518



Winch Assembly
Part No. 339G/516





Bracket / Ratchet Assembly
Part No. 338G/26



Bracket / Ratchet Assembly
Part No. 338G/34

Web Strap
Part No. 338/21

Sleeve
Part No. 338/35



Belt Looped
Part No. 339G/519



Belt Hooked
Part No. 339G/520

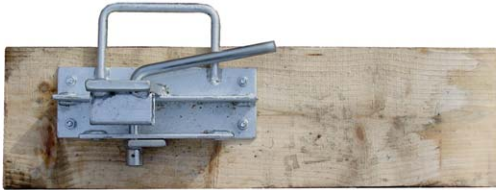




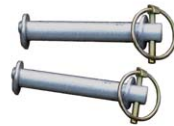
Wood Block Support
Part No. 338G/24



Rear Hoof Trim Blocks (Pair)
Part No. 339G/900
(suitable for 339 & 339 g only)



Wood Block Support
Part No. 338G/25



Attachment Pins
Part No. 338G/18 (x2)

Web Strap
Part No. 338G/21 (x2)



Belly Canvas
Part No. 338G/22







the perfect partner

David Ritchie (Implements) Ltd,
Carseview Road, Forfar, Scotland, DD8 3BT
Tel: 01307 462271 fax: 01307 464081
e-mail: agrisales@ritchie-uk.com
www.ritchie-uk.com